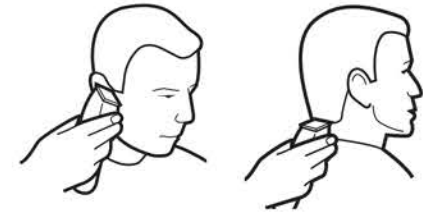


Remember, it's better to leave too much hair than too little. For longer hair on top, use the barber comb and lift hair on the top of the head, cutting over the comb. Or hold the hair between the fingers and cut to desired length. Always working from the front to the back of the head, gradually cut the hair shorter by reducing the space between the comb or fingers and the head. Comb often to check for uneven strands, and to get rid of trimmed hair.

OUTLINING



Outlining requires no attachments. Comb hair into the desired style. Position the clipper between the sideburns and the ear (see above), making sure the corner edge of the blade is against the hairline. With the outline of the hair as your guide, slowly move the clipper over, around and behind the ears. For the back of the neck and the sideburns, hold the clipper upside down (see above) and, holding it against the skin at the length desired, move the clipper downward.

IMPORTANT SAFETY INSTRUCTIONS

When using electrical appliances, especially when children are present, take basic safety precautions, including the following:

READ ALL INSTRUCTIONS BEFORE USING KEEP AWAY FROM WATER FOR HOUSEHOLD USE ONLY

DANGER — any appliance is electrically live, even when the switch is off. To reduce the risk of death or injury by electric shock:

1. **Unplug this appliance before cleaning.**
2. Do not place or store appliance where it can fall or be pulled into a tub or sink.
3. Do not use while bathing or in a shower.
4. Do not place in, or drop into water or other liquids.
5. Do not reach for an appliance that has fallen into water. **Unplug immediately.** For dry location use only. Do not expose to liquid, vapor or rain.
6. Except when charging, always unplug this appliance from electrical outlet immediately after using.

STOP. COMB. CHECK.

For best results, do as the professionals do: comb hair often, and check clipping results as you comb. This way you avoid uneven sides, bangs, neckline, etc.

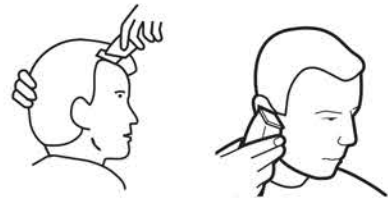
SHORT CUTS TO PERFECT FLAT TOPS, CREW CUTS, ETC.

Always cut from the back of the neck to the crown, using the longest comb setting.

Hold the comb attachment flat against the head and slowly move the clipper up through the hair. Use the same technique for the sides, cutting from the bottom to the upper side of the head.

For the front to the crown, cut the hair against the direction in which it grows. Then even it up with the sides.

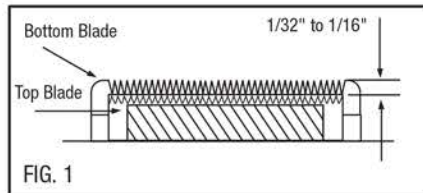
For a flat top, use the flat comb, not the comb attachment. Just cut hair on top of the head over flat comb. (see below).



USER-MAINTENANCE INSTRUCTIONS CARE OF YOUR CLIPPERS

IF YOU DETERMINE THAT BLADE ALIGNMENT IS INCORRECT:

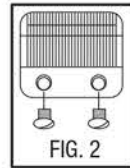
Conair® hair clippers are carefully inspected to ensure that the blades are in perfect alignment. Of course you will need to realign the blades after removal for cleaning or replacement, or if they should be knocked out of alignment. How can you tell if blades need realigning? Simply match them up, point for point, to conform with FIG. 1 below:



To prevent the clipper from contacting the skin or cutting too closely, make certain that the end top blade teeth are 1/32" to 1/16" back from bottom blade.

To Align Blades:

1. Add two or three drops of Conair Lubricating Oil (included).
2. Turn clipper on for a minute to disperse oil evenly over blades, then turn off.
3. Unplug clipper and slightly loosen screws. (See FIG. 2)
4. Position the extreme left-hand tooth of the top blade so that it either covers or appears on the left of the first small tooth on the bottom blade.
5. Make sure that the big tooth on the bottom blade touches the extreme right-hand tooth of the top blade.



ADJUSTABLE TAPER LEVER

Just like professional clippers, the Conair taper lever is positioned at your thumb. You can hold the clipper in your hand and adjust the lever at the same time... while you're clipping.

This taper lever eliminates the need in some situations for a comb attachment because it lets you gradually adjust the closeness of the cut. For the closest cut and the shortest hair, push taper lever up as far as it will go to, level #1. To increase cutting length, slowly push lever down. If you push to the lowest position, level #5, it will leave hair about the same length as the short comb attachment. Because a different cutting edge is used in each setting, the taper lever lengthens the life of your blades.

Packed-in hair can slow down any clipper. To remove hair without removing the blades, do what the professionals do: keeping the clipper on, quickly push the taper lever back and forth from "close" to "longer" cut a few times.

If you do this after every clipping, especially with heavy hair cutting, the blades should remain free of cut hair.

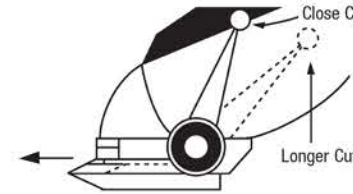
If clipper stops cutting and this action doesn't help, check the blades. If they've become dull, replace them. For new blades, send check or money order for \$6.50, which includes postage and handling (if \$10 minimum is met) to:

©2020 CONAIR CONSUMER PRODUCTS
100 Conair Parkway,
Woodbridge, ON L4H 0L2

NOTE: Never pull on the clipper cord. Never twist or wrap the cord around the clipper. Lay it flat with the cord coiled up when not in use.

STORAGE: When not in use, your clipper should be disconnected, allowed to cool and stored in a safe, dry location, out of reach of children.

Any other servicing should be performed by authorized service representative. This appliance has no user serviceable parts. This appliance is for household use.



BATTERY DISPOSAL

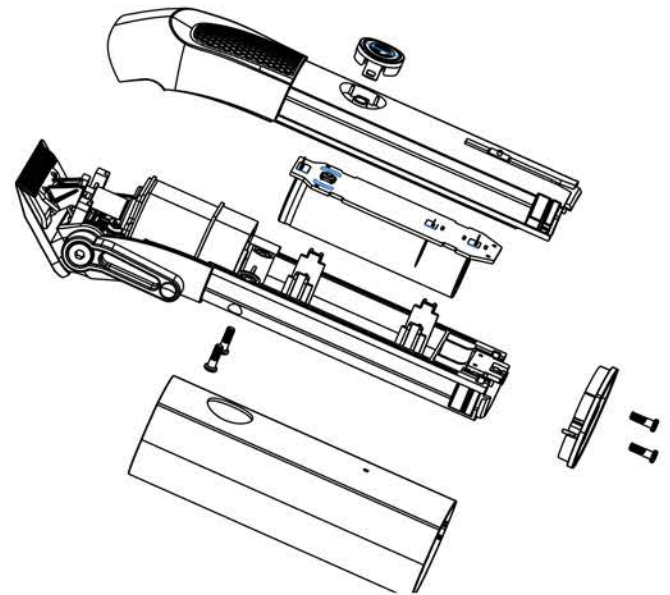
This appliance contains a lithium ion battery. To protect the environment, this appliance and its battery must be disposed of safely. At the end of its life, please take this appliance to a recycling center, where the internal rechargeable battery should be removed by a professional and recycled separately. For more information about the recycling of electrical and battery-operated appliances, please contact your local recycling or environmental protection office or your household waste disposal service. For specific enquiries regarding the replacement of batteries in this product, please contact our Conair Customer Care Line.



HC6000C CORDLESS CLIPPER

45 mm professional grade stainless steel blade

DC motor



IMPORTANT SAFETY INSTRUCTIONS

When using electrical appliances, especially when children are present, take basic safety precautions, including the following:

READ ALL INSTRUCTIONS BEFORE USING KEEP AWAY FROM WATER FOR HOUSEHOLD USE ONLY

DANGER — any appliance is electrically live, even when the switch is off. To reduce the risk of death or injury by electric shock:

1. **Unplug this appliance before cleaning.**
2. Do not place or store appliance where it can fall or be pulled into a tub or sink.
3. Do not use while bathing or in a shower.
4. Do not place in, or drop into water or other liquids.
5. Do not reach for an appliance that has fallen into water. **Unplug immediately.** For dry location use only. Do not expose to liquid, vapor or rain.
6. Except when charging, always unplug this appliance from electrical outlet immediately after using.

WARNING — To reduce the risk of burns, electric shock, fire, or injury to persons:

1. **This appliance should never be left unattended when plugged in.** Do not pull, twist, or wrap line cord around appliance.
2. This appliance should not be used by, on or near children or individuals with certain disabilities.
3. Use this appliance only for its intended purpose as described in this manual. Do not use attachments not recommended by the manufacturer. Do not use an extension cord to operate this appliance.
4. **Never operate this appliance if it has a damaged cord or plug, if it is not working properly or if it has been dropped or damaged, or dropped into water.** Return the appliance to a service center for examination and repair.
5. Keep the cord away from heated surfaces.
6. Never drop or insert any object into any opening on this appliance.
7. Do not place appliance on any surface while it is operating.
8. Do not use this appliance with a damaged or broken comb or with teeth missing from the blades as injury may occur. Before use, make certain blades are aligned properly.
9. Do not use outdoors or operate where aerosol (spray) products are being used or where oxygen is being administered.
10. Never operate the appliance with the air openings blocked or while on a soft surface, such as a bed or couch, where the

air openings may be blocked. Keep the air openings free of lint, hair, and other debris.

11. Always attach plug to appliance first, then to outlet. To disconnect, turn all controls to OFF, then remove plug from outlet.
12. Avoid skin coming into contact with moving blade.
13. When using the appliance with its cord, be mindful of tangles or kinks in the cord. If the cord does become tangled during use, turn the unit off and straighten cord before operating again.
14. Do not short the polarity (output cord) — ensure jack is plugged into the unit before plugging the adapter into outlet.
15. This power unit is intended to be correctly oriented in vertical floor mount position.
16. CAN ICES-3(B).

WARNING: Changes or modifications to this unit not expressly approved by the party responsible for compliance could void the user's authority to operate the equipment.

SAVE THESE INSTRUCTIONS OPERATING INSTRUCTIONS USER MANUAL

Before using the USB charging cord, read the instructions carefully. Use supplied USB charging cord. The rating required when connect the USB port on a computer or into a smartphone adapter.

Rated output: 5 VDC, 1A

OPERATION

1. For dry location use only. Do not expose to water.
2. When not in use, unplug unit completely.
3. Unit will become warm during operation.

CAUTION

1. Dry location use only. Do not expose to liquid, vapor or rain.
2. Ensure jack is plugged into the trimmer unit before plugging the adapter into the outlet.
3. Do not operate any appliance that has a damaged output cord or housing.
4. Always unplug the unit before cleaning or when not in use.
5. This power unit is intended to be correctly oriented in a vertical or floor mount position.

6. Be sure voltage is in correct voltage before plugging in.

FEATURES

- Cordless operational clipper — use cordless for total flexibility and control.
- Lithium-ion technology with powerful DC motor for powerful cutting action and sustained power performance.
- Precision-engineered high-grade hardened steel blades with unique super-sharp cutting angle for smooth, effortless cutting.
- Taper control for custom settings.
- 3-hour full charge for approximately 2 hours of use

Also included are 6 comb attachments for different hair lengths (including ear comb and fade comb), barber scissors with straight teeth. It also comes with lubricating oil, a cleaning brush and a blade guard for easy maintenance and protection of the clipper blades.

INSTRUCTIONS FOR USE

CHARGING THE APPLIANCE IMPORTANT

Plug the USB cable into the USB port on a

computer or into a smartphone adapter. This clipper is easy to use, but before you do anything you must take your time to charge the unit for 3 hours before its first use.

Maximum battery capacity will be reached only after 3 charging/discharging cycles. A full charge will provide approximately 3 hours use. When the clipper is about to run out of power, the charging indicator will flash and you will have approximately 3 minutes of use remaining. The blue charging LED indicator light will flash when correctly connected to the mains power, and will continuously flash until the battery has fully charged. When the battery is fully charged, the LED indicator light will stop flashing, but remain on.

WARNING: When charging, the unit can't operate. If the charging light suddenly starts to flash rapidly, the appliance is faulty. If this happens, please stop charging and remove the adapter from the outlet and contact our Customer Care Center for further advice (see the Warranty section of the information booklet).

OILING INSTRUCTIONS

IMPORTANT! It is highly recommended before each use to oil the blades with the oil provided. This ensures optimum cutting performance. For the first use you will need to use the oil supplied with the product. Unscrew the cap and cut off the very end of the plastic tube with a pair of scissors to release the oil.

To oil the blades ensure that the unit is switched on. Gently squeeze the oil tube and

apply 2 drops of oil to the blades (see FIG. 1, 2, and 3). Leave the unit on for a few seconds to allow the oil to thoroughly spread the length of the blades. Switch off the unit and remove any excess oil by gently dabbing with a cloth.

Be careful not to use too much oil and don't oil your clipper more than necessary, as this could damage the motor. (Never attempt to oil the motor bearing, as it is permanently lubricated.) **KEEP OIL OUT OF REACH OF CHILDREN.**

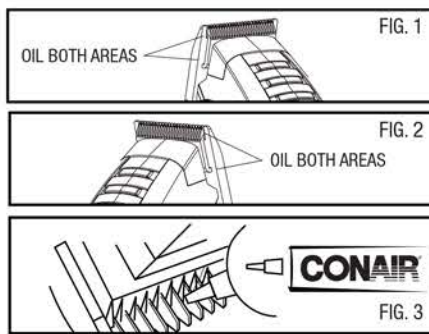
PRESERVING THE BATTERIES

In order to maintain the optimum capacity of the rechargeable batteries, the appliance has to be fully discharged approximately every 6 months. Then recharge the appliance to full capacity, again for 3 hours.

THE CONAIR GUIDE TO CUTTING HAIR AT HOME

Before you start:

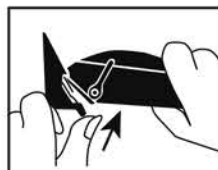
1. Inspect your clipper. Make sure it's free of hair and dirt, properly oiled and running smoothly.
2. Place a towel around the neck of the person whose hair is to be cut.
3. Seat the person so that his or her head is at your eye level. This gives you greater visibility and control.
4. First, comb hair until it's tangle-free. Then hold clipper in a comfortable grip. Now you're ready to cut.



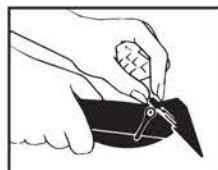
MEDIUM TO LONG CUT

To begin, cut only a small amount of hair until you become used to the length each attachment leaves the hair. Try the longest attachment on the clipper first. If you want a shorter cut, you can then use shorter combs.

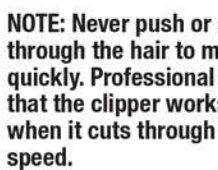
- Curved combs: #0, #0.5, #1, #6
- Ear comb attachment lightly tapers over left/right ear.
- Fade comb



Attach combs by holding them teeth up, then snapping onto the bottom of the clipper blade.



To remove comb attachments, place index finger and thumb as illustrated; then pull out and up.



NOTE: Never push or shove the clipper through the hair to make it move more quickly. Professional experience shows that the clipper works most efficiently when it cuts through the hair at its own speed.

To begin cutting hair:



1. The hair should be combed in its natural direction.



2. Using the largest comb attachment, trim sides from the bottom upward. Hold clipper lightly against the hair with teeth of the comb attachment pointing upward, yet flat against the head. Gradually lift the clipper upward and outward through the hair, trimming just a little at a time.



Repeat around sides and back of head.

If you want hair to be even shorter:



A) Apply more pressure to the head with the comb attachment that is in place. This takes a little practice, of course. **OR**
B) Just switch to a shorter comb attachment.

The
BARBER SHOP
- PRO SERIES -
Est. 1959
BY CONAIR



Have a Question?

Please do not return this product to the retailer.

Call Us First!

Our customer service and product experts are ready to answer ALL your questions. Please call our TOLL-FREE customer service number at: 1-855-926-6247 or visit us online at www.conaircanada.ca

Instruction Booklet

For your safety and continued enjoyment of this product, always read the instruction booklet carefully before using.

Model HC6000C

SERVICE CENTRE
©2020 CONAIR CONSUMER PRODUCTS ULC
100 Conair Parkway
Woodbridge Ontario, L4H 0L2
For more information on any Conair product call: 1-855-926-6247
Visit our Web site:
www.conaircanada.ca
Consumer Call Centre E-mail:
Consumer_Canada@Conair.com

19CN035126

IB-TBD